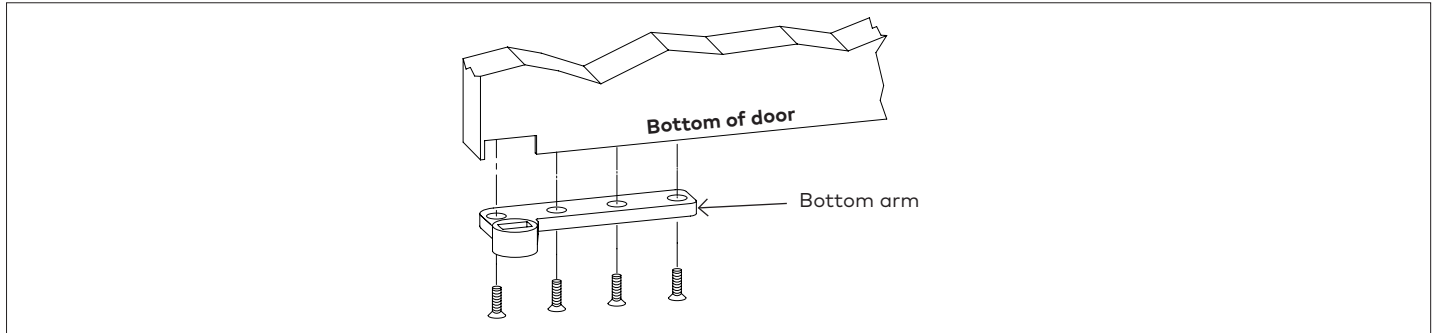


# Installation Instructions

## 3/4" Offset Bottom Arm For use with 75323

### 1.1 Install pivot

Fig. 1



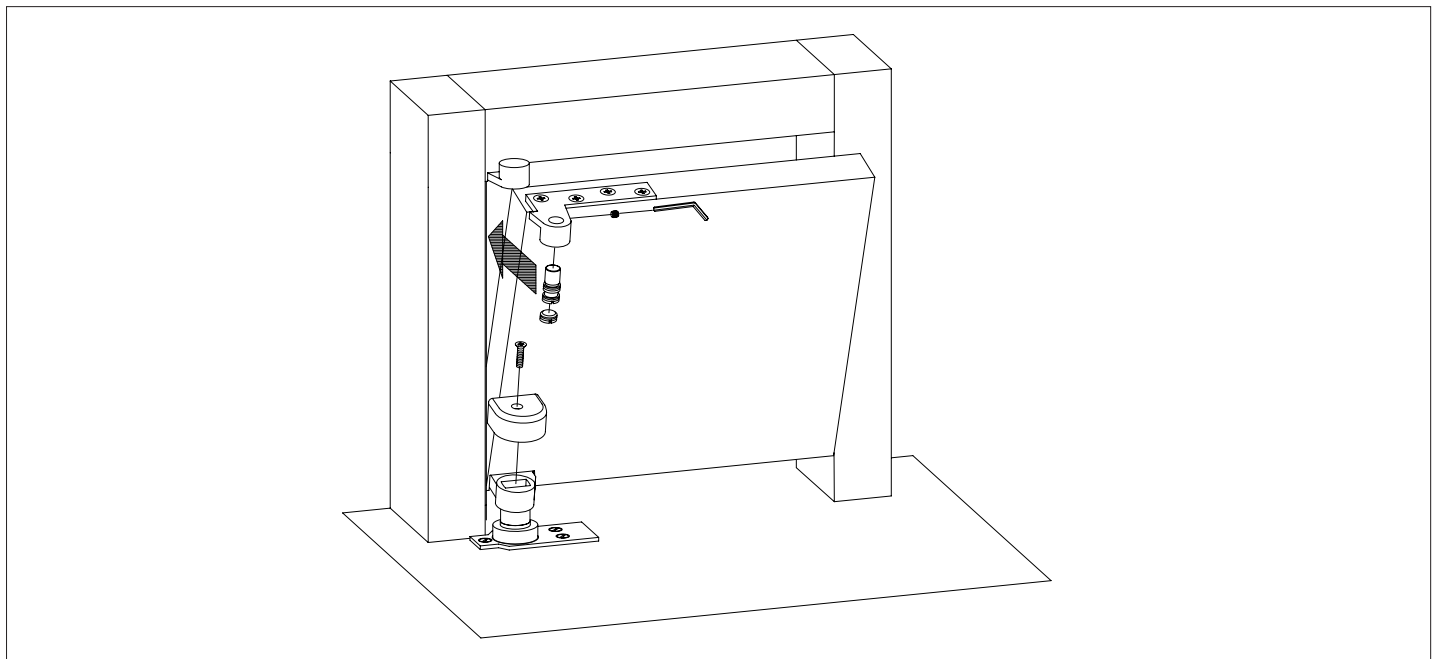
1.1.1 Prepare door according to template.

1.1.2 Install bottom arm.

1.1.3 Fasten arm to door.

### 1.2 Install door

Fig. 2



1.2.1 Install door.

1.2.2 With door parallel to frame, place bottom arm onto floor bearing.

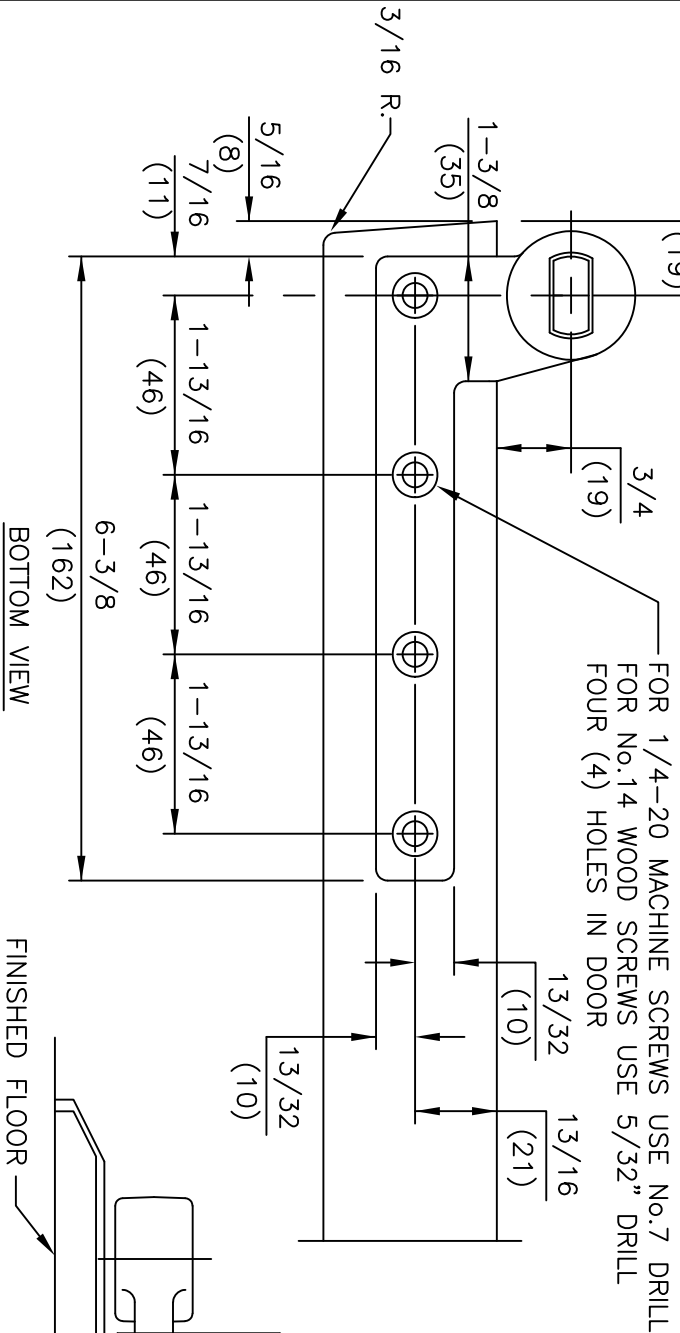
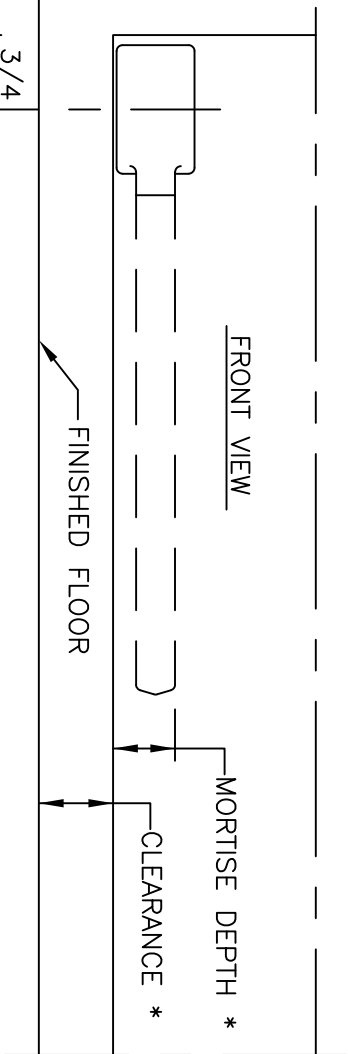
1.2.3 Align door and frame portions of top pivot.

1.2.4 Install pivot pin.

1.2.5 Install set screw.

1.2.6 Install cover cap.

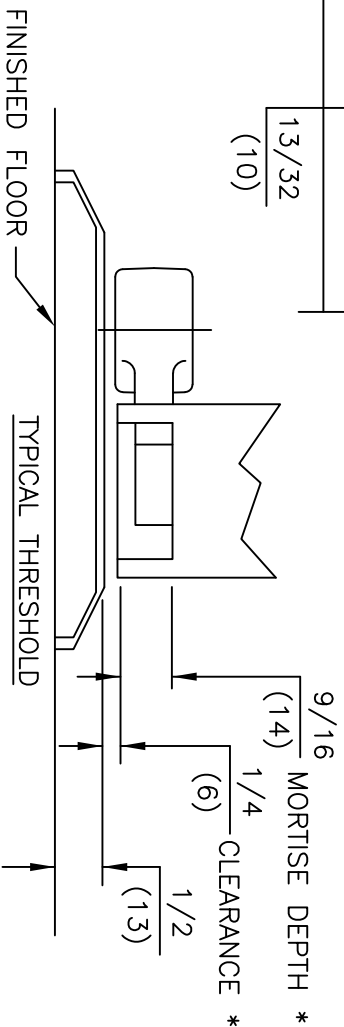
1.2.7 Install cover over bottom arm with screw provided.



FOR 1/4-20 MACHINE SCREWS USE No.7 DRILL  
FOR No.14 WOOD SCREWS USE 5/32" DRILL  
FOUR (4) HOLES IN DOOR

①

SPINDLE EXT.	CLEARANCE *	MORTISE DEPTH *
STD.	5/16"	1"
STD.	1/2"	13/16"
STD.	3/4"	9/16"
5mm	15/16"	9/16"
10mm	1-1/8"	9/16"
15mm	1-5/16"	9/16"
20mm	1-1/2"	9/16"
25mm	1-11/16"	9/16"
30mm	1-15/16"	9/16"
35mm	2-1/8"	9/16"
40mm	2-5/16"	9/16"
45mm	2-1/2"	9/16"
50mm	2-11/16"	9/16"



NOTES ①

- DO NOT SCALE DRAWING.
- DIMENSIONS ARE IN INCHES/(MM).
- RIGHT HAND DOOR SHOWN.
- BEVEL HEEL EDGE OF DOOR 1/8" IN 2".
- ALL NECESSARY REINFORCEMENT FOR ARM BY OTHERS.

ITEM No. 75323  
3/4" OFFSET STANDARD BOTTOM ARM  
FOR NON-FIRE OR 3 HR. RATED DOORS  
FOR USE WITH 7471K FLOOR BEARING

